



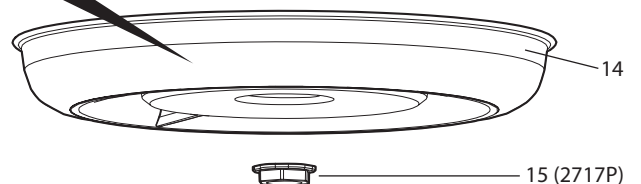
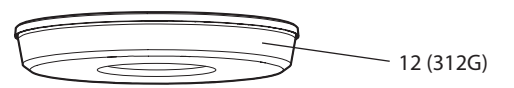
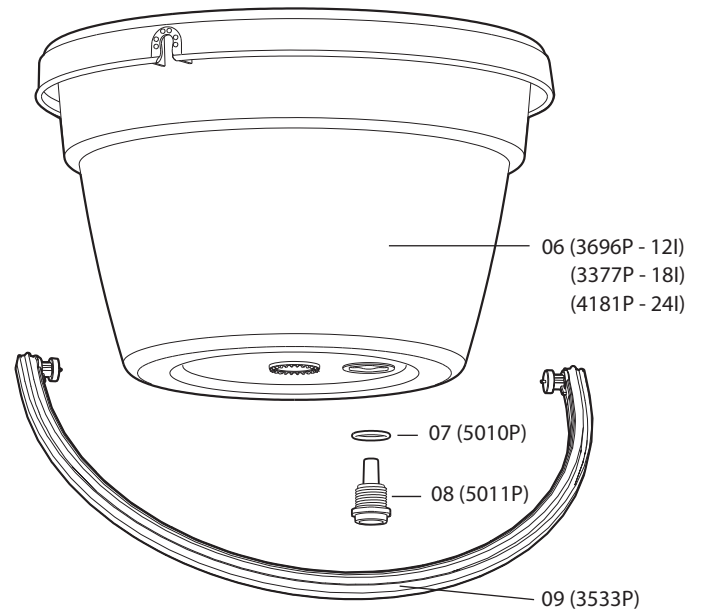
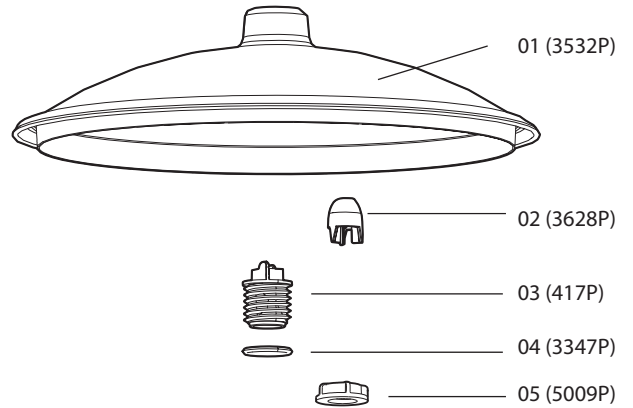
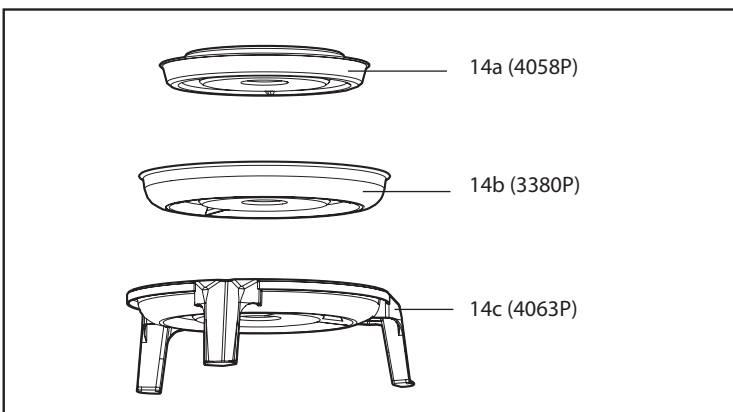
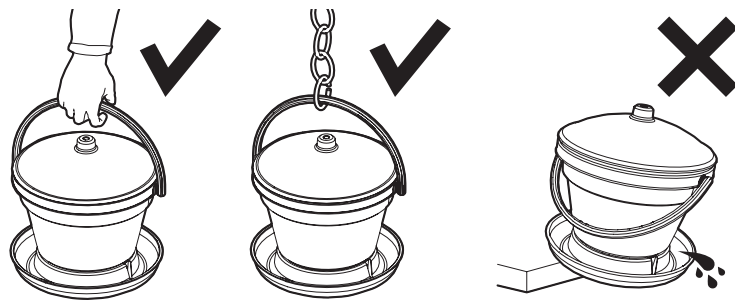
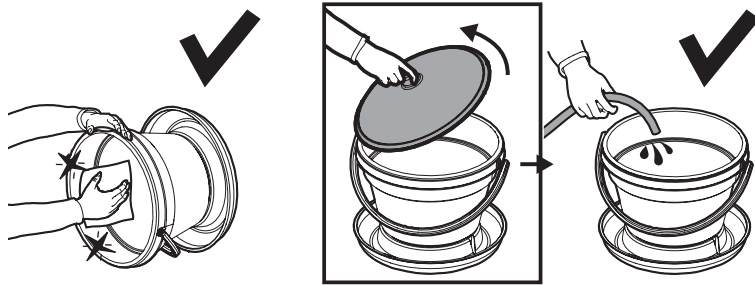
NOVITAL

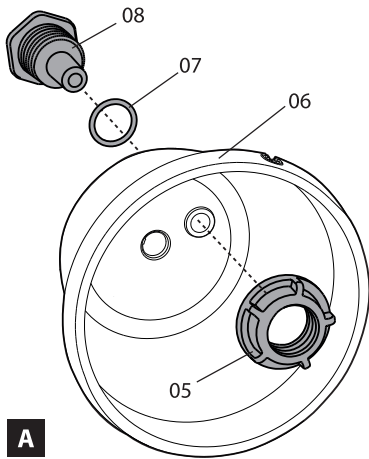
MADE IN ITALY

RAPIDCLEAN 12/18/24

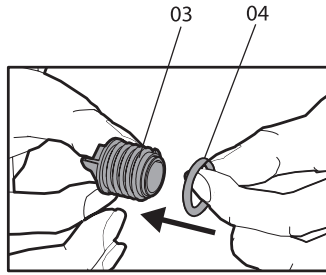


ABBEVERATOIO, LARGE DRINKER, ABREUVOIR, TRÄNKEBECKEN, BEBEDERO, BEBEDOURO, ΠΟΤΙΣΤΡΑ ΔΟΧΕΙΟΥ, VATTENAUTOMAT

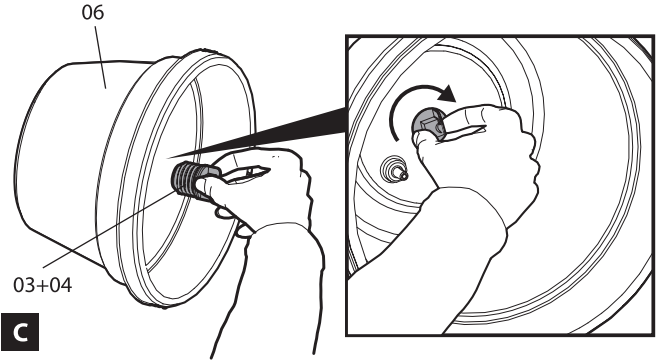




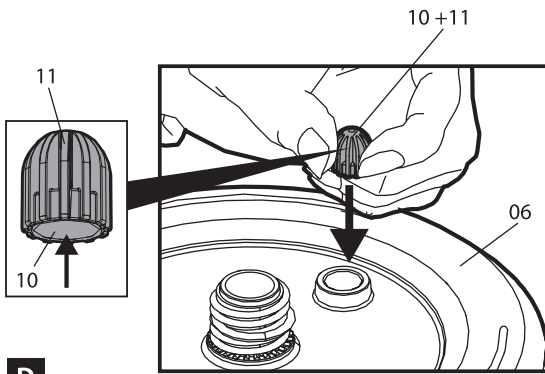
A



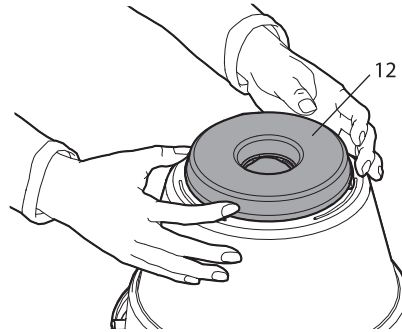
B



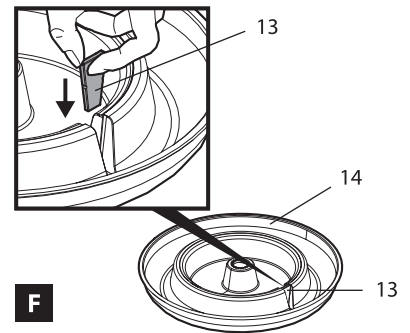
C



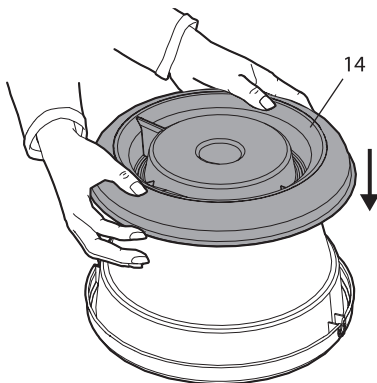
D



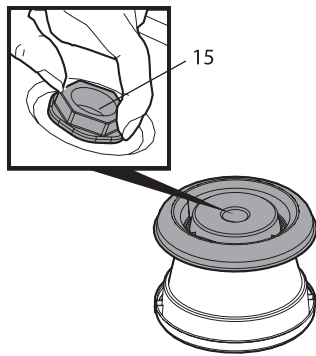
E



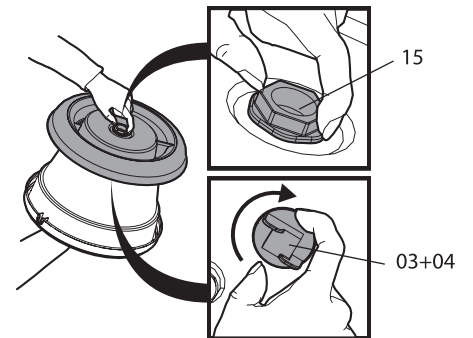
F



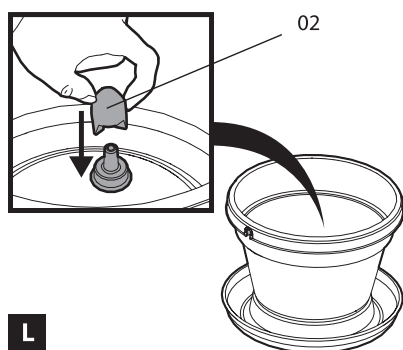
G



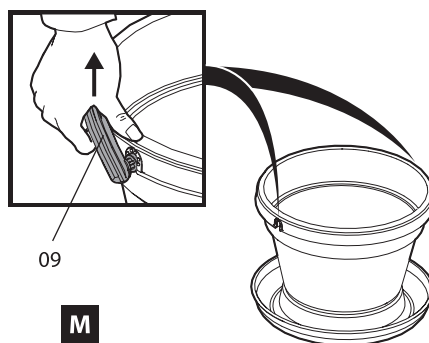
H



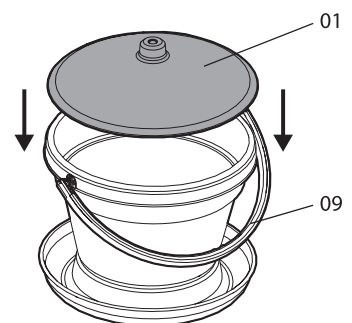
I



L



M



N